

2" and 2.5" Vacuum Switchgauge®

20, 25, A20 and A25 Series

The 20 Series (2 inch/51 mm dial) and the 25 Series (2 1/2 inch/64 mm dial) Switchgauge instruments are diaphragm-actuated, vacuum-indicating gages with built-in electrical switches. These switches are used for tripping alarms and/or shutdown devices.

The 20 and 25 series gage mechanism is enclosed in a steel case coated to resist corrosion.

A-Series gages have a polycarbonate case and are sealed from the environment. All gages feature a polycarbonate, break-resistant lens and a polished, stainless steel bezel to help protect these rugged, built-to-last instruments.

The gage pointer acts as a pressure indicator and as one switch pole which completes a circuit when it touches the adjustable limit contact. Contacts have a self-cleaning motion to ensure electrical continuity.

Gage-only models, without contacts (Murphygage® instruments) are also available.

A pulsation dampener (PD2160) is included with each Switchgauge to help eliminate pointer flutter. When monitoring intake manifold vacuum, the PD2160 is mounted in the manifold. The PD2160 has a 1/8-27 NPT connection.

Commonly used to measure loading of spark-ignition engines through intake manifold vacuum, the gages also can serve as overspeed protection from sudden loss of load on these engines. Use anywhere the vacuum source is compatible with port materials.



25 Series



20 Series



Products covered by this bulletin comply with EMC Council directive 89/336/EEC regarding electromagnetic compatibility except as noted.

Specifications

Dial: White on black, dual scale; U.S.A. standard scale is Inches of Hg/kPa

Case (mounting clamp included):

20 and 25 Series: Plated steel

A20 and A25 Series: Polycarbonate/glass filled

Bezel: Polished stainless steel, standard; others are available (see How to Order)

Lens: Polycarbonate, high-impact

Process Connection: 1/8-27 NPTM brass

Sensing Element: Beryllium copper diaphragm

Gage Accuracy: ±2% of scale in operating range (mid 1/3 of scale)

Adjustable Limit Contacts:

2-SPST contacts; pilot- duty only, 2 A @ 30 VAC/DC. Contacts are gold flashed silver.

Limit Contact Adjustment: by a 1/16 in. hex wrench

Limit Contact Wire Leads (20 and 25 Series):

18 AWG (1.0 mm2) x 12 in. (305 mm)

Limit Contact Terminals: A20 Series number 4 screw terminals;

A25 Series number 6 screw terminals

Unit Weight:

20 Series: 8 oz. (0.23 kg)

25 Series: 11 oz. (0.31 kg)

A20 Series: 6 oz. (0.17 kg)

A25 Series: 10 oz. (0.28 kg)

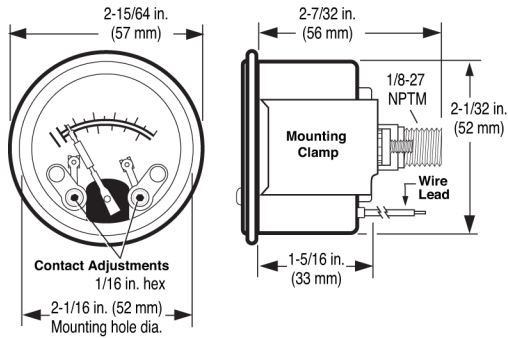
Unit Dimensions:

20 and A20 Series: 3 x 3 x 3 in. (76 x 76 x 76 mm)

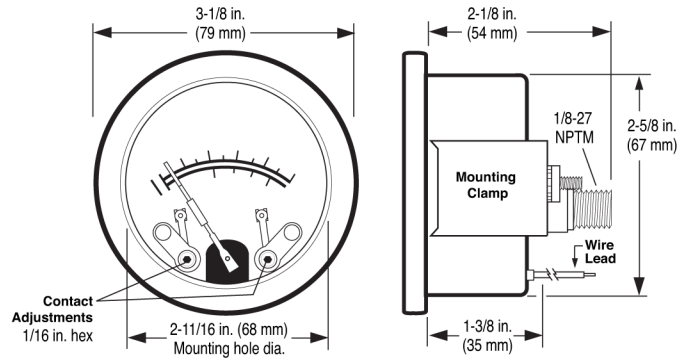
25 and A25 Series: 4-3/4 x 4-3/4 x 2-3/4 in. (121 x 121 x 70 mm)

Dimensions

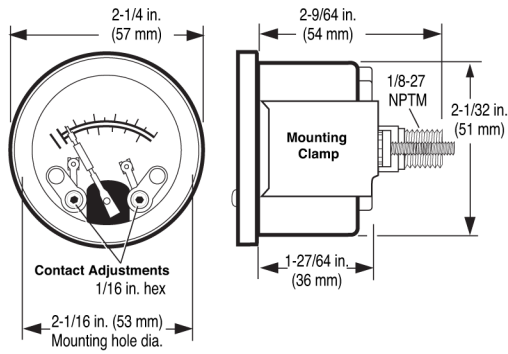
20 Series Models



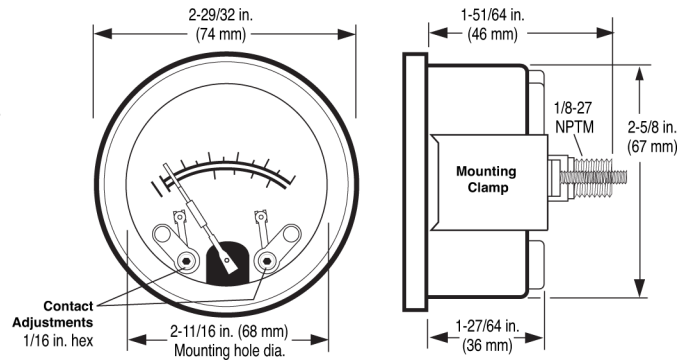
25 Series Models



A20 Series Models



A25 Series Models



How to Order

Part Number	Model and Description	Notes
05703194	20V-20: Vacuum Switchgauge	20 Series Model
05703195	20V-30: Vacuum Switchgauge	20 Series Model
05704227	25V-30: Vacuum Switchgauge	25 Series Model
05704330	A20V-30: Vacuum Switchgauge	A20 Series Model
05704394	A25V-30: Vacuum Switchgauge	A25 Series Model